



# TWO-WAY KNIFEGATE VALVE LINE SWITCH

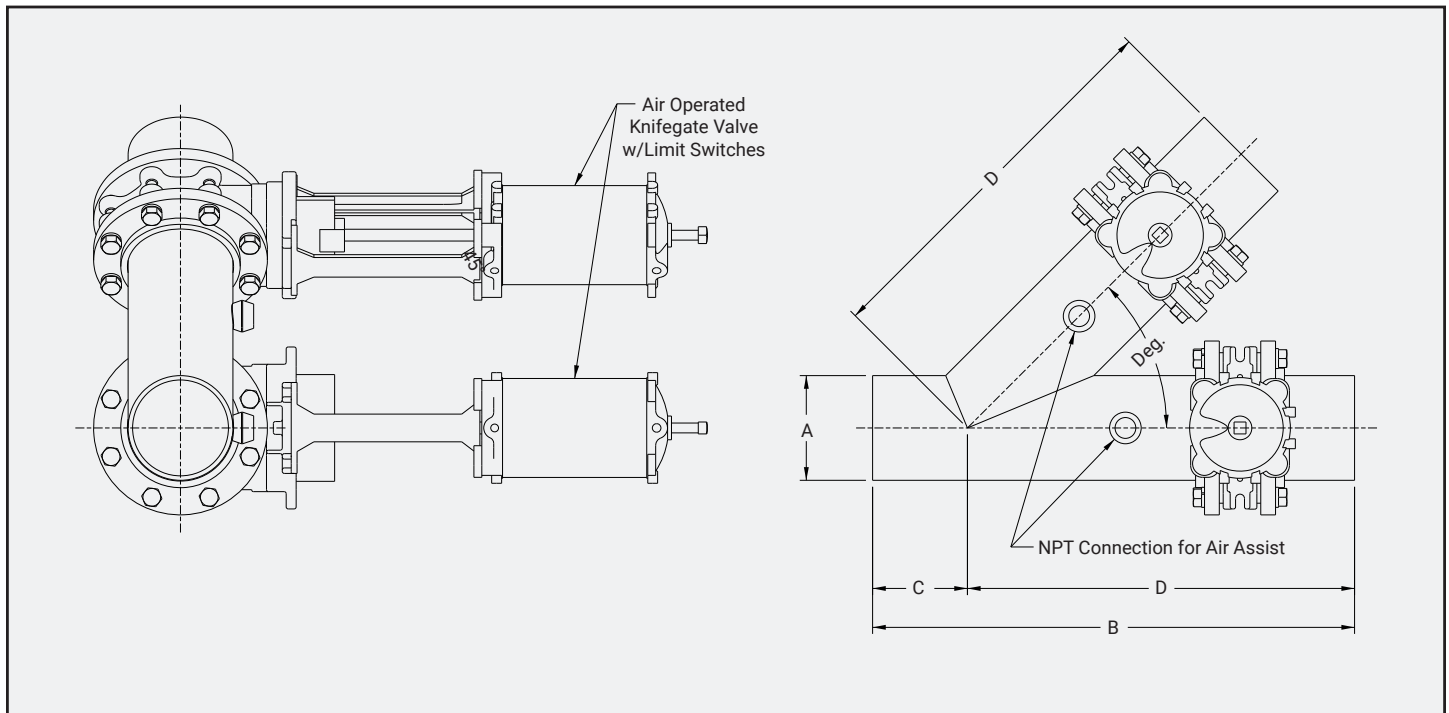
The Nol-Tec Model 437 two-way switch is used to diverge or converge free-flowing materials in a variety of pneumatic conveying applications.

### STANDARD FEATURES:

- Can be used for pressure or vacuum and dilute or dense phase conveying applications
- Can be used for either converging or diverging applications
- Four orientation options available
- Limit switches to indicate position
- **Temperature range:** -22° F to +158° F
- **Electrical:** Designed to meet customers specifications

### OPTIONAL FEATURES:

- Stainless steel construction
- Higher temperature ratings available
- Flanged or grooved connections
- Hazardous location design
- Proximity switches in place of limit switches



| 30° LINE SWITCH |          |         |    |         |
|-----------------|----------|---------|----|---------|
| SIZE            | A (dia.) | B       | C  | D       |
| 2"              | 2.375"   | 28.375" | 6" | 22.375" |
| 3"              | 3.5"     | 31.5"   | 6" | 25.5"   |
| 4"              | 4.5"     | 34.5"   | 6" | 28.5"   |
| 5"              | 5.5625"  | 36.75"  | 6" | 30.75"  |
| 6"              | 6.625"   | 38.75"  | 6" | 32.75"  |
| 8"              | 8.625"   | 43.25"  | 6" | 37.25"  |

| 45° LINE SWITCH |          |         |    |         |
|-----------------|----------|---------|----|---------|
| SIZE            | A (dia.) | B       | C  | D       |
| 2"              | 2.375"   | 23.375" | 6" | 17.375" |
| 3"              | 3.5"     | 25.5"   | 6" | 19.5"   |
| 4"              | 4.5"     | 27.5"   | 6" | 21.5"   |
| 5"              | 5.5625"  | 28.75"  | 6" | 22.75"  |
| 6"              | 6.625"   | 30.25"  | 6" | 24.25"  |
| 8"              | 8.625"   | 35.75"  | 8" | 27.75"  |

Specifications subject to change without notice.

### TRUSTED TO DELIVER®

Nol-Tec Systems, Inc | 425 Apollo Drive | Lino Lakes, MN 55014  
651.780.8600 | sales@nol-tec.com | www.nol-tec.com

5.217.SALE.02.20.25.00

